



## BOSE® centre speaker bracket for flatscreen TV

Elegant bracket to attach a BOSE® centre speaker array to your flatscreen TV\*. Fits all 5.1 BOSE® home entertainment systems and 5.1 BOSE® home cinema speaker systems. To be used exclusively with the UBTV-20.

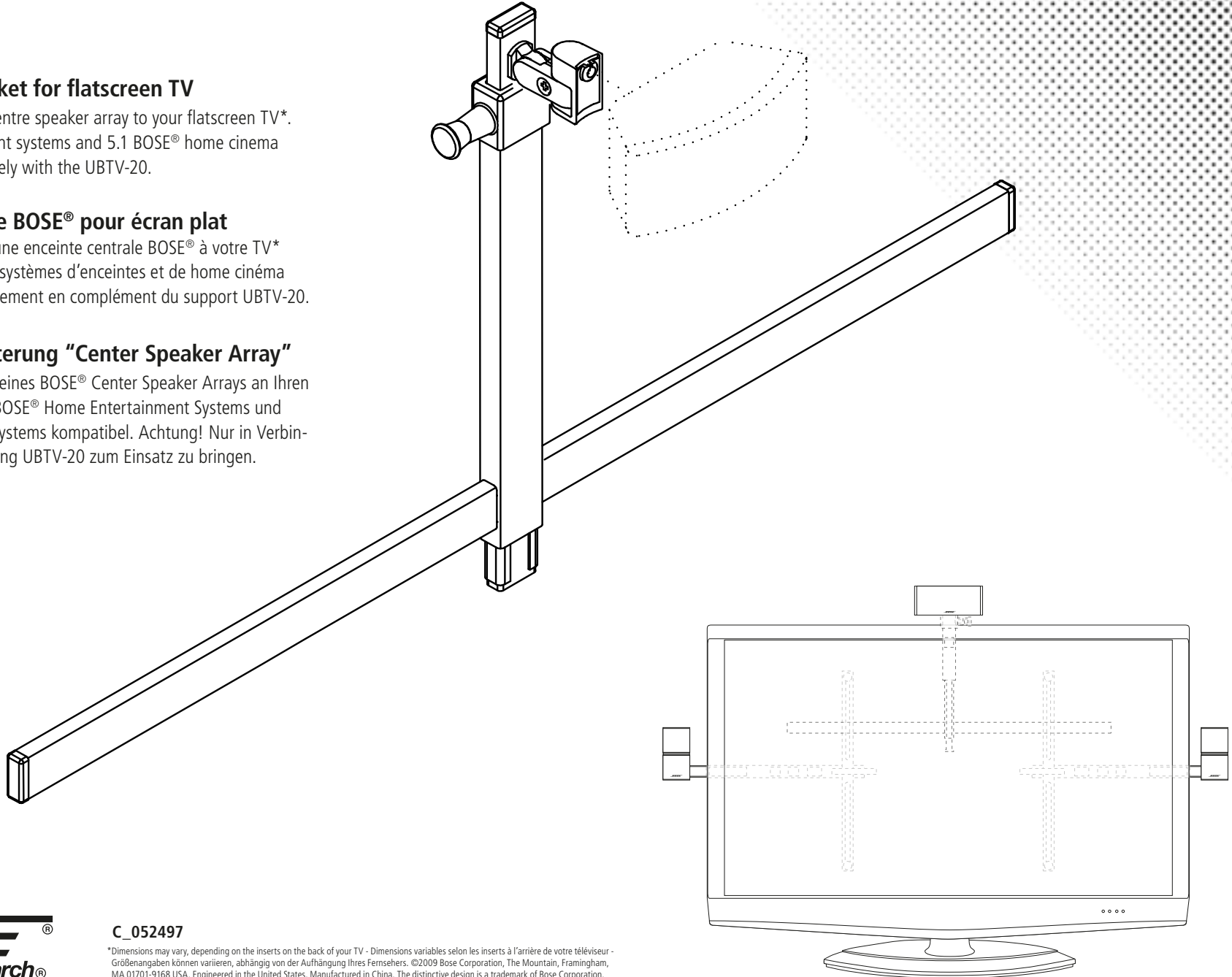
## Support d'enceinte centrale BOSE® pour écran plat

Système discret permettant de fixer une enceinte centrale BOSE® à votre TV\* écran plat. Compatible avec tous les systèmes d'enceintes et de home cinéma BOSE® de type 5.1. À utiliser exclusivement en complément du support UBTV-20.

## BOSE® TV-Lautsprecherhalterung "Center Speaker Array"

Funktionelle Halterung zur Montage eines BOSE® Center Speaker Arrays an Ihren Flachbildschirm\*. Ist mit sämtlichen BOSE® Home Entertainment Systems und BOSE® (5.1) Home Cinema Speaker Systems kompatibel. Achtung! Nur in Verbindung mit der TV-Lautsprecherhalterung UBTV-20 zum Einsatz zu bringen.

## UBTV-20C



**BOSE®**  
Better sound through research®

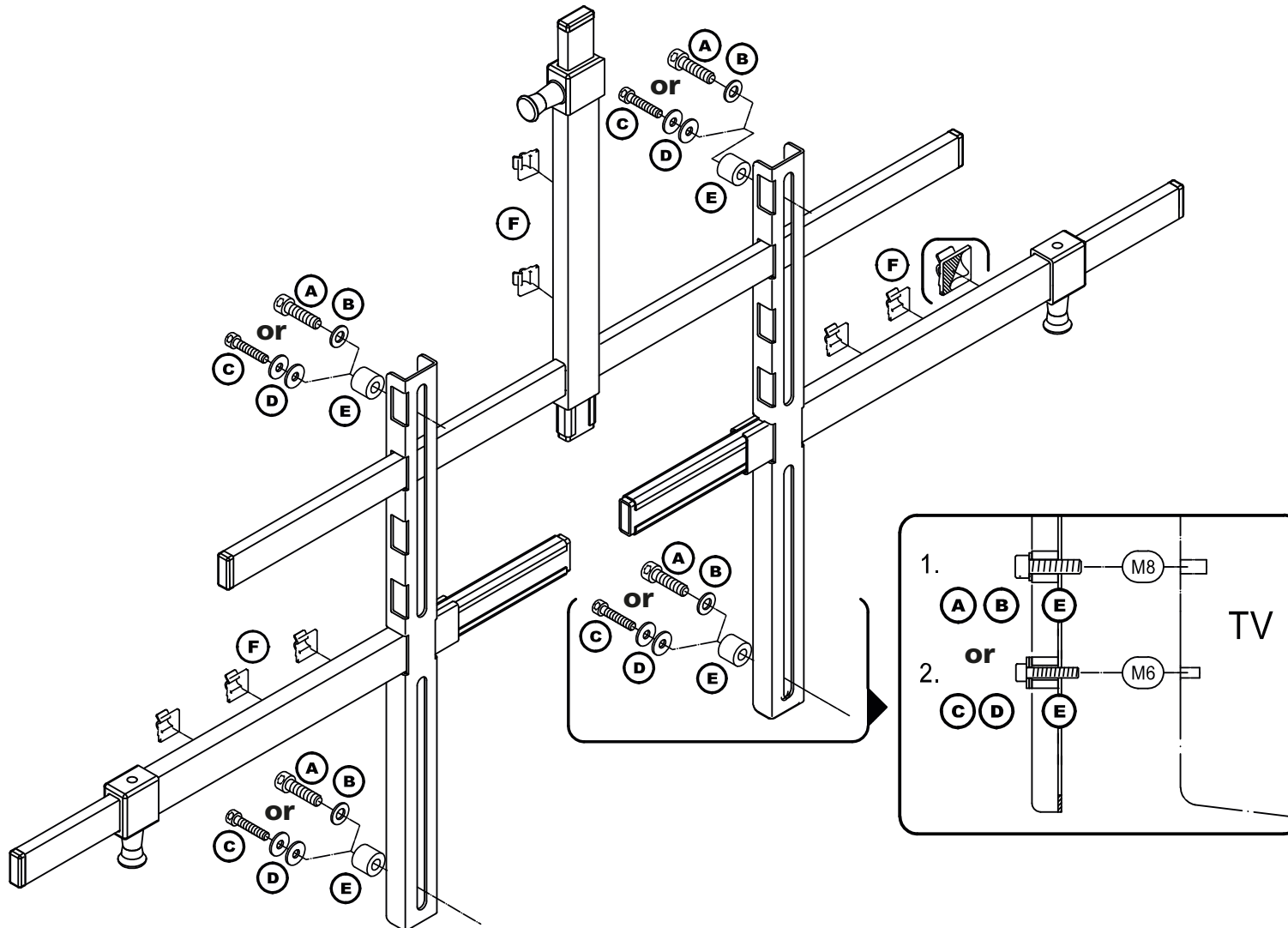
C\_052497

\*Dimensions may vary, depending on the inserts on the back of your TV - Dimensions variables selon les inserts à l'arrière de votre téléviseur - Größenangaben können variieren, abhängig von der Aufhängung Ihres Fernsehers. ©2009 Bose Corporation, The Mountain, Framingham, MA 01701-9168 USA. Engineered in the United States. Manufactured in China. The distinctive design is a trademark of Bose Corporation.

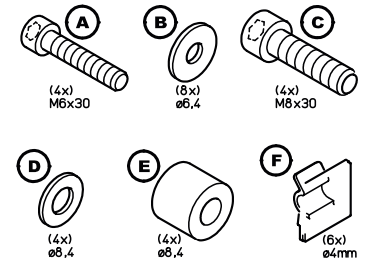
# BOSE® centre speaker bracket for flatscreen TV

part 1

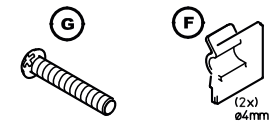
## UBTV-20C / UBTV-20 combination



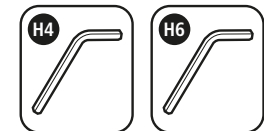
### CONTENTS UBTV-20



### CONTENTS UBTV-20C



### TOOLS REQUIRED INCLUDED

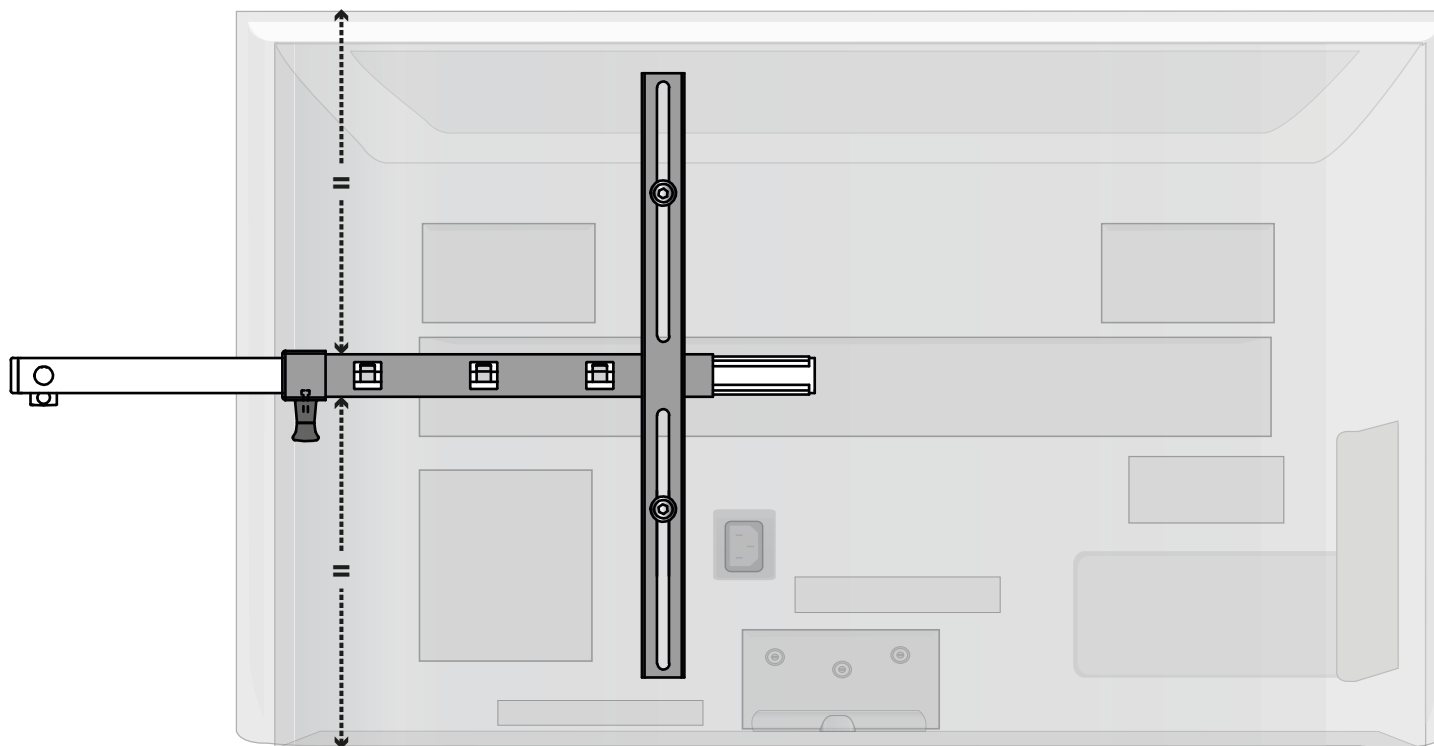


### NOT INCLUDED



# **BOSE® centre speaker bracket for flatscreen TV**

*part 2*

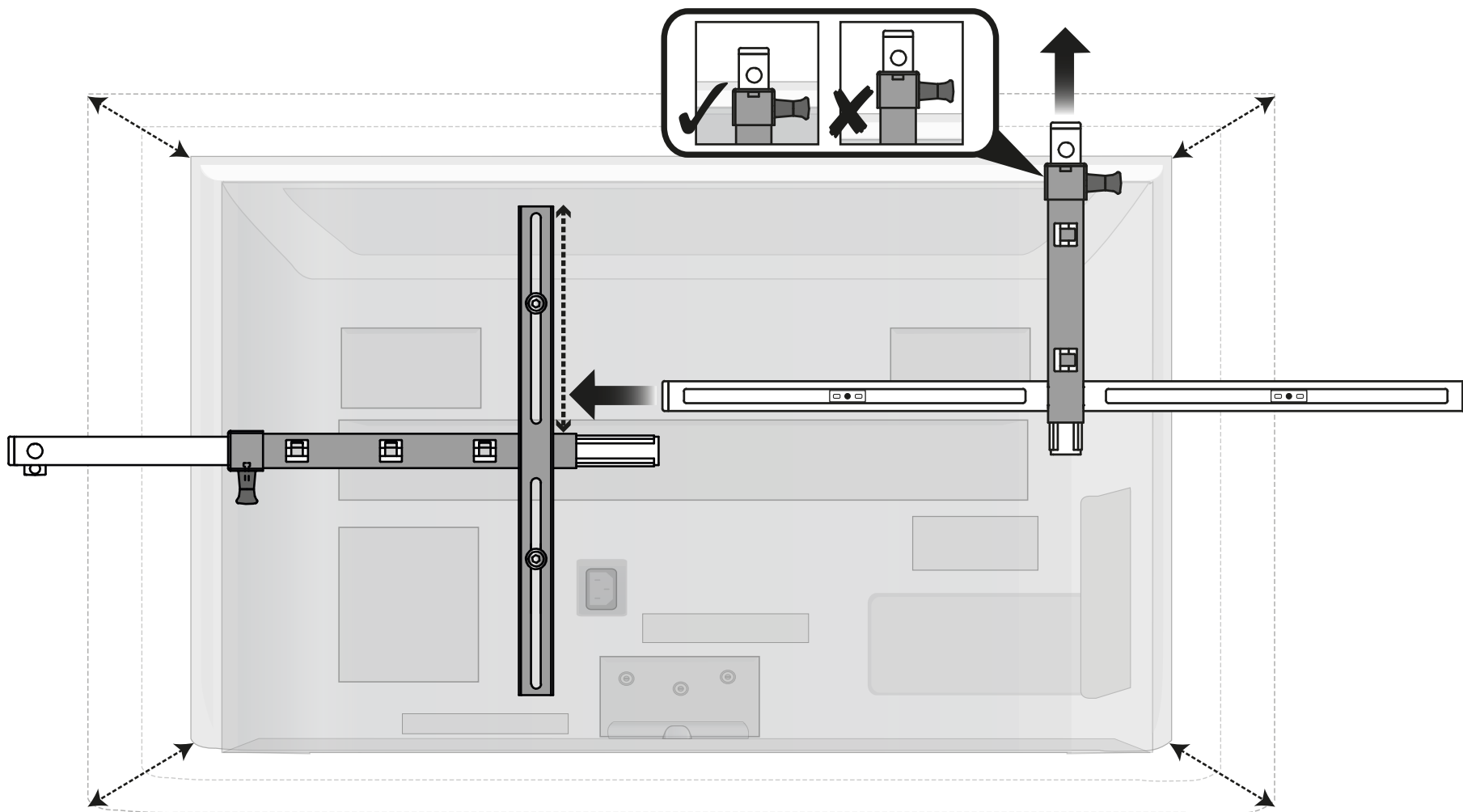


**BOSE®**  
*Better sound through research®*

© 2009 Bose GP, Castleblaney Road,  
Carrickmacross, Co. Monaghan, IRELAND

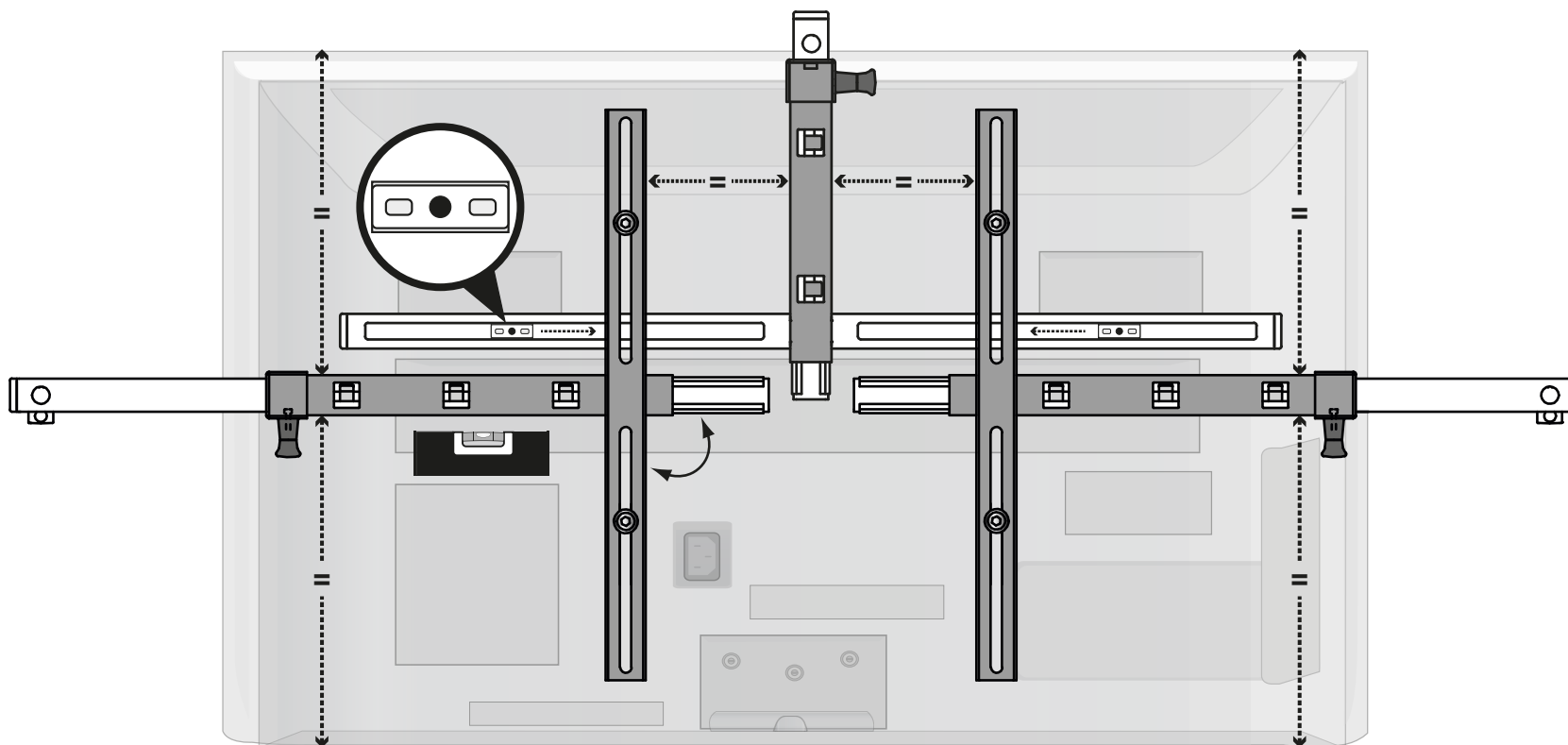
# BOSE® centre speaker bracket for flatscreen TV

part 3



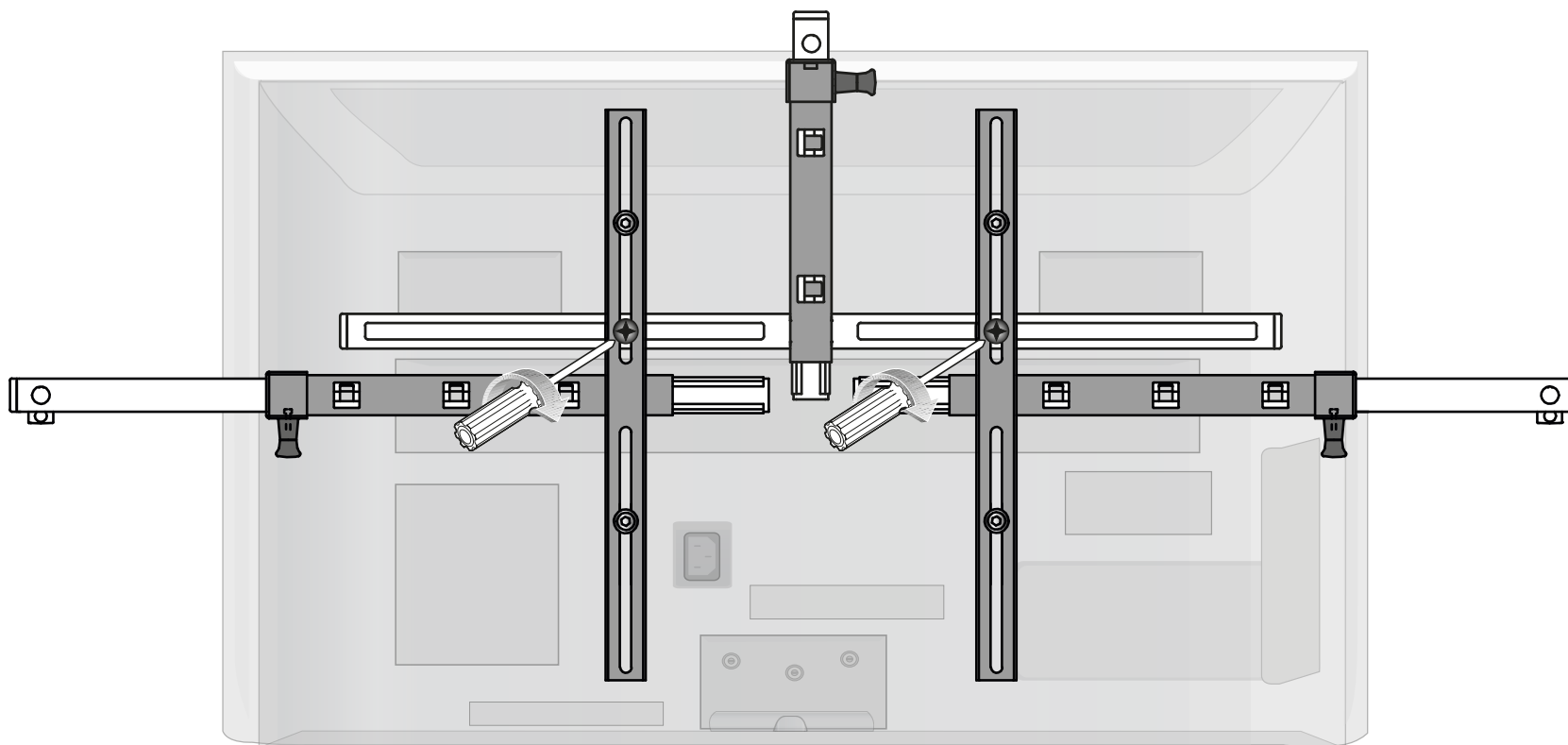
# **BOSE® centre speaker bracket for flatscreen TV**

*part 4*



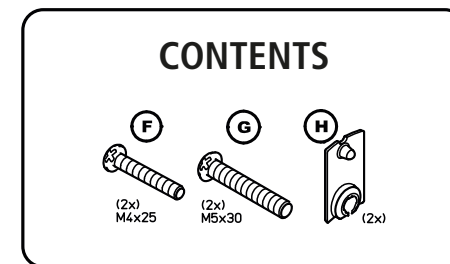
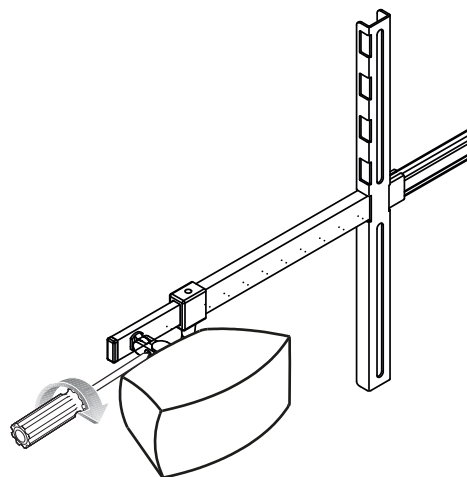
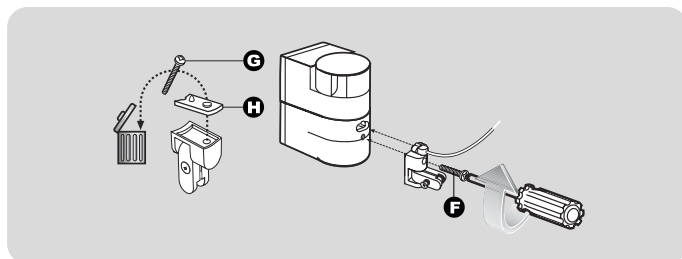
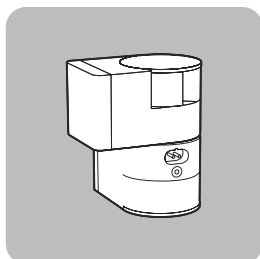
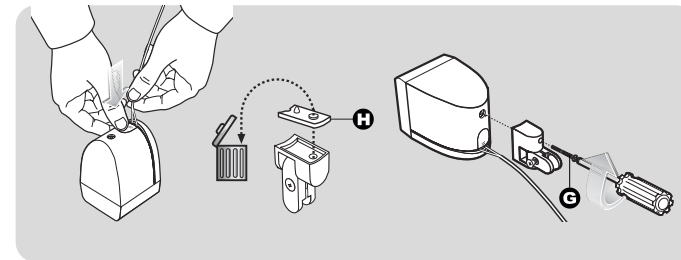
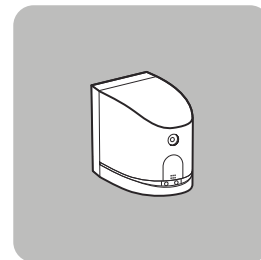
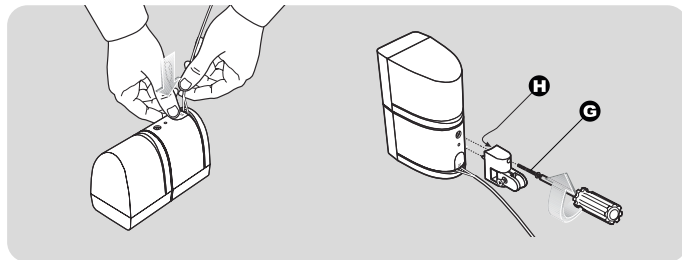
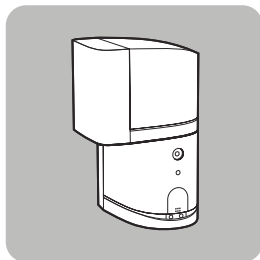
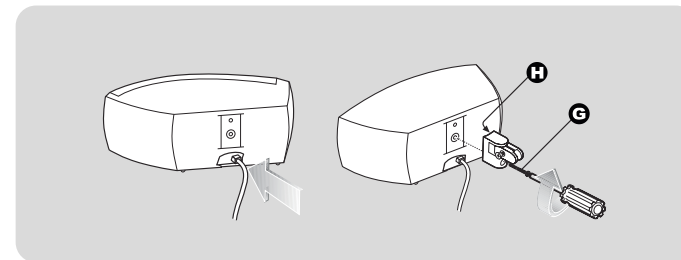
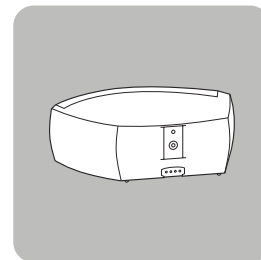
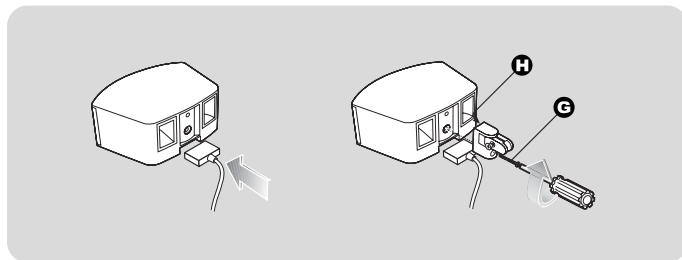
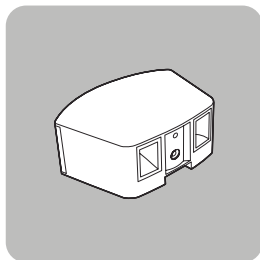
**BOSE® centre speaker bracket for flatscreen TV**

*part 5*



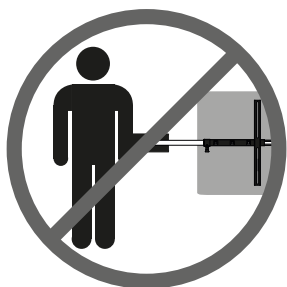
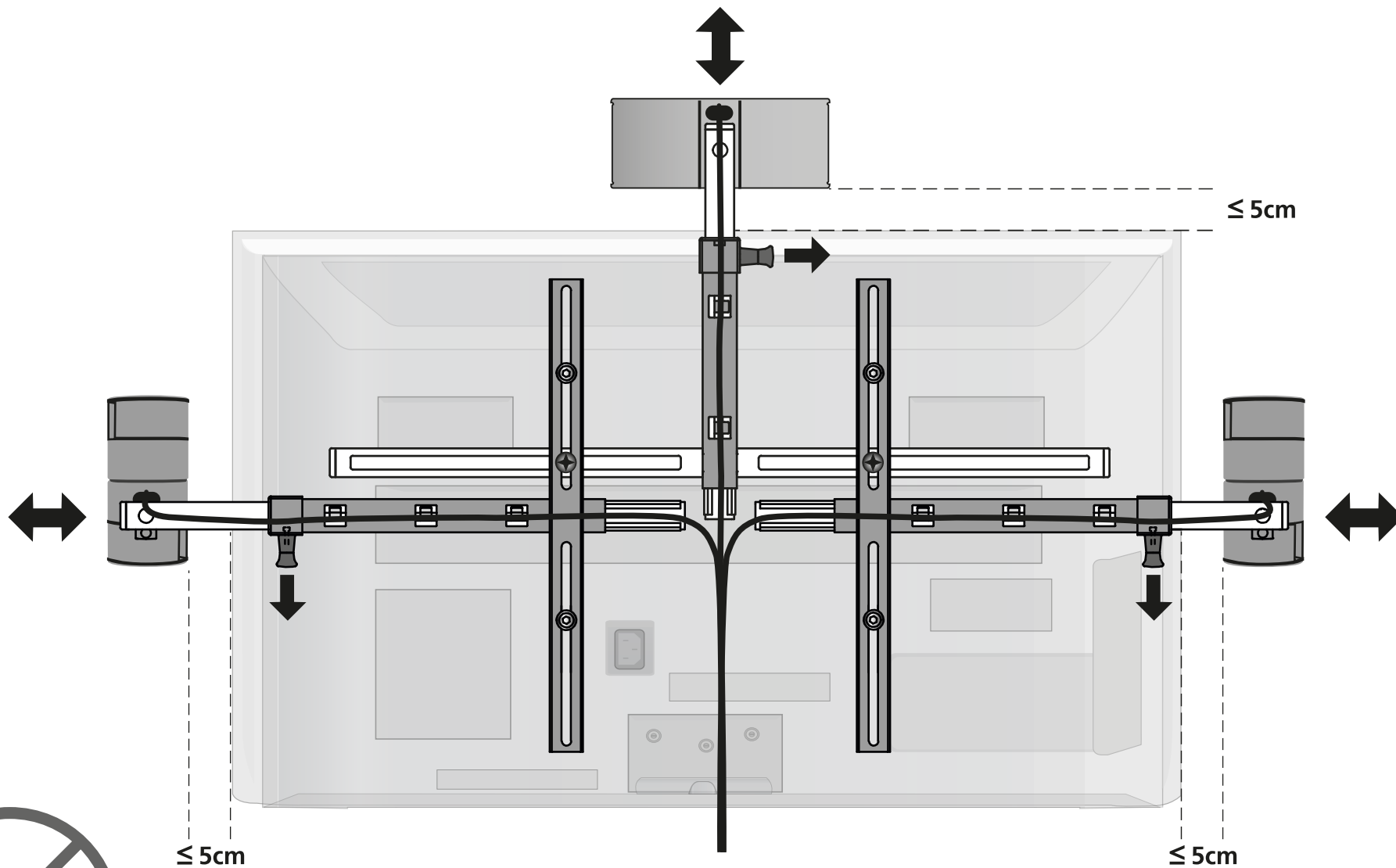
# BOSE® centre speaker bracket for flatscreen TV

part 6



# BOSE® centre speaker bracket for flatscreen TV

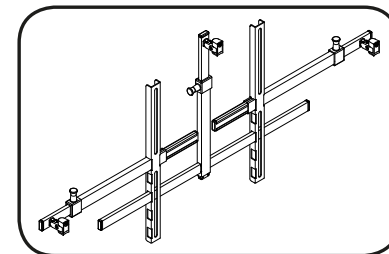
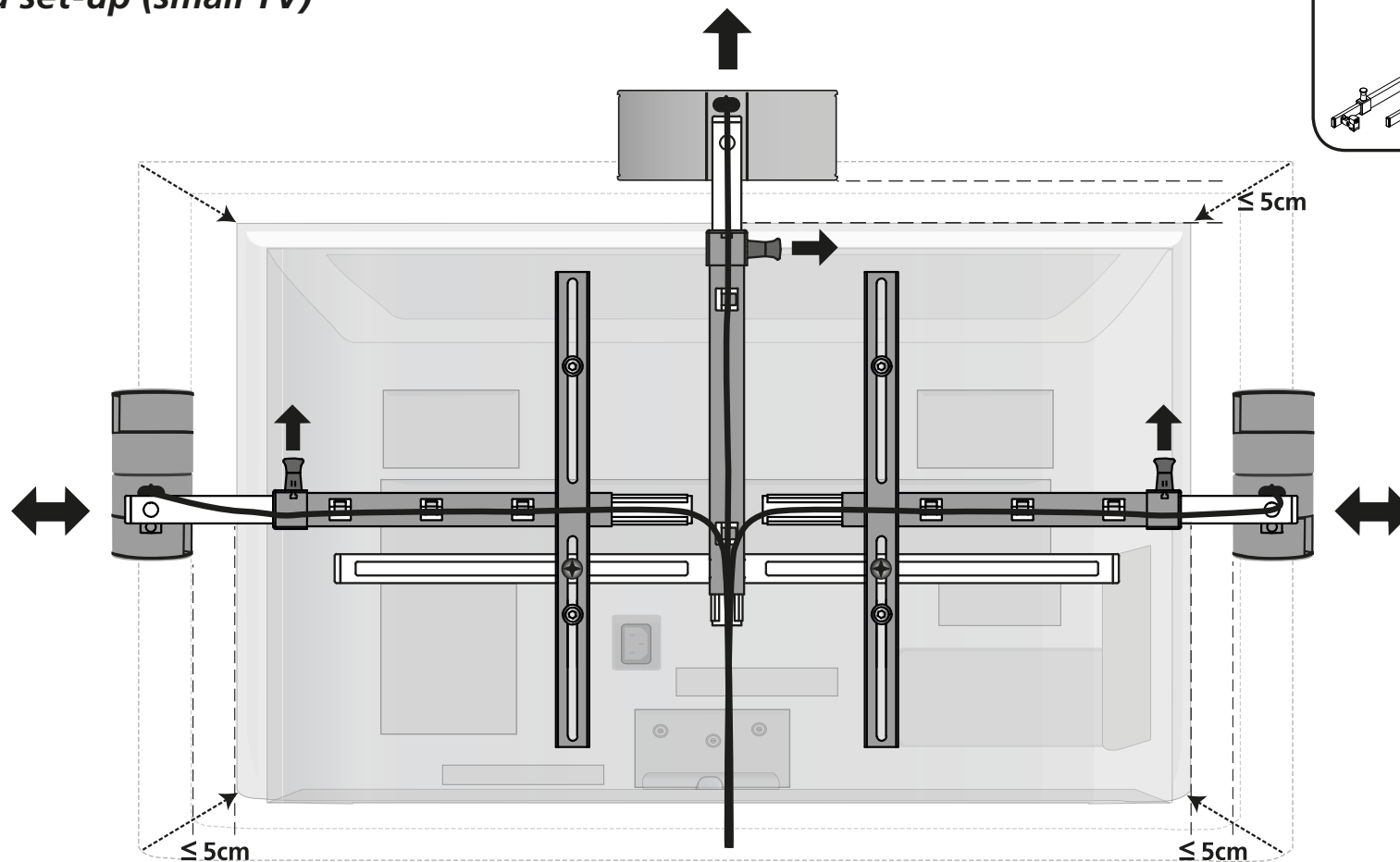
part 7



# BOSE® centre speaker bracket for flatscreen TV

part 8

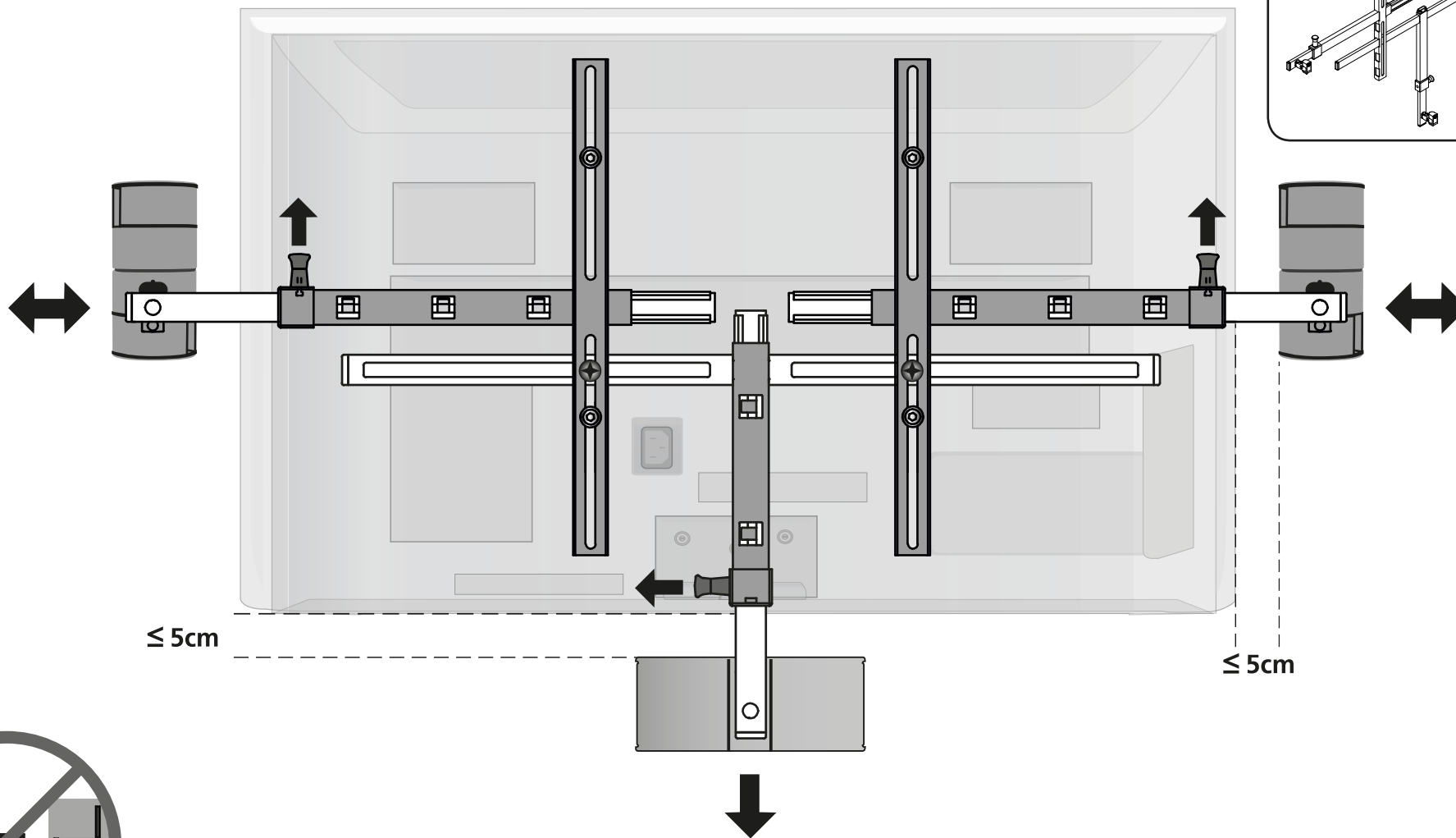
Table stand set-up (small TV)

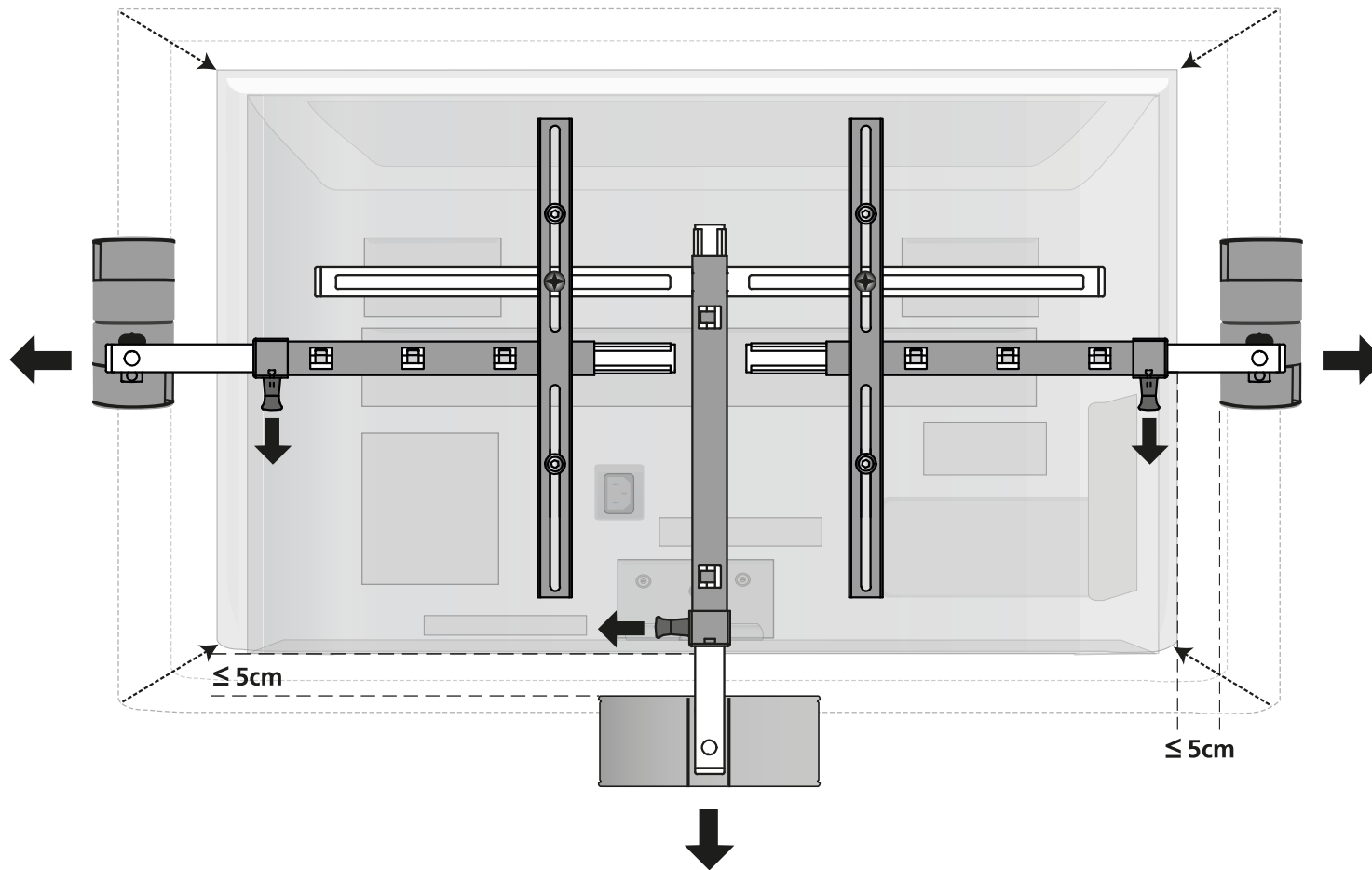


# BOSE® centre speaker bracket for flatscreen TV

part 9

TV wall bracket set-up





***BOSE***<sup>®</sup>  
*Better sound through research*<sup>®</sup>

© 2009 Bose GP, Castleblaney Road,  
Carrickmacross, Co. Monaghan, IRELAND